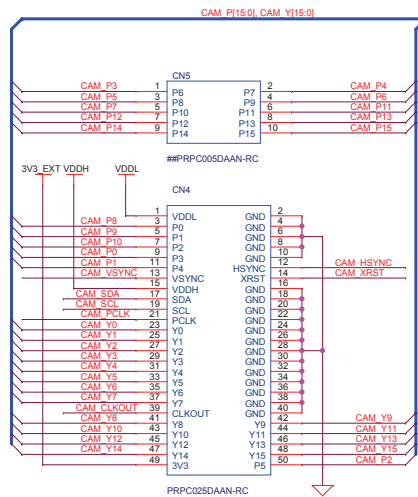


\*C69-C107: pattern only; 1005 package.



Signal number of CAM\_P0-15 is modified from SVM-03 board but the connection is consistent. For SVP-01 bit number of PPGA resistor refers directly to the signal name.

