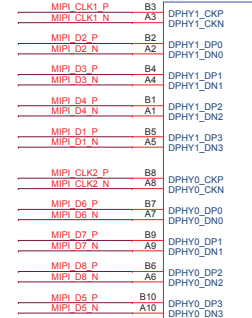
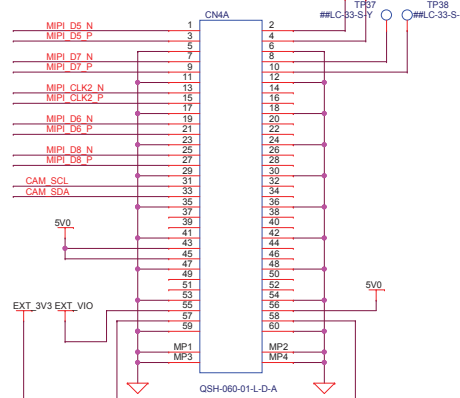
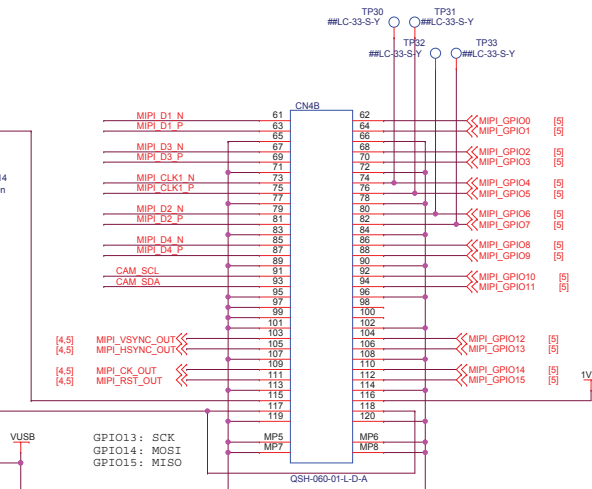
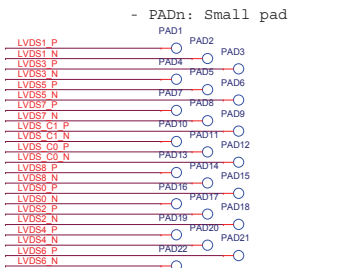
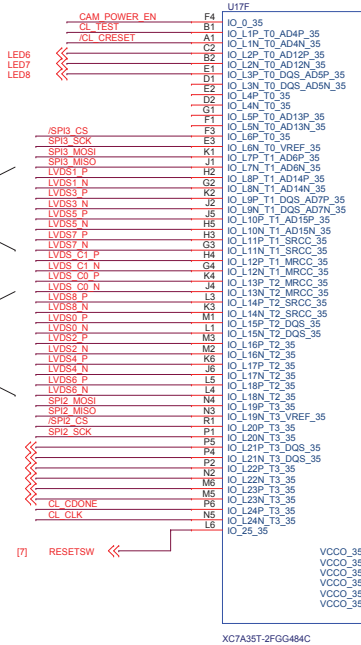


*Note: use working voltage 2.5V type.



Swappable
Swappable

[7] LED0
[7] LED1
[7] LED2
[7] LED3
[7] LED4
[7] LED5



- U30: Place in bottom side
- Alternates: SCK=SDA, CS=SCL

