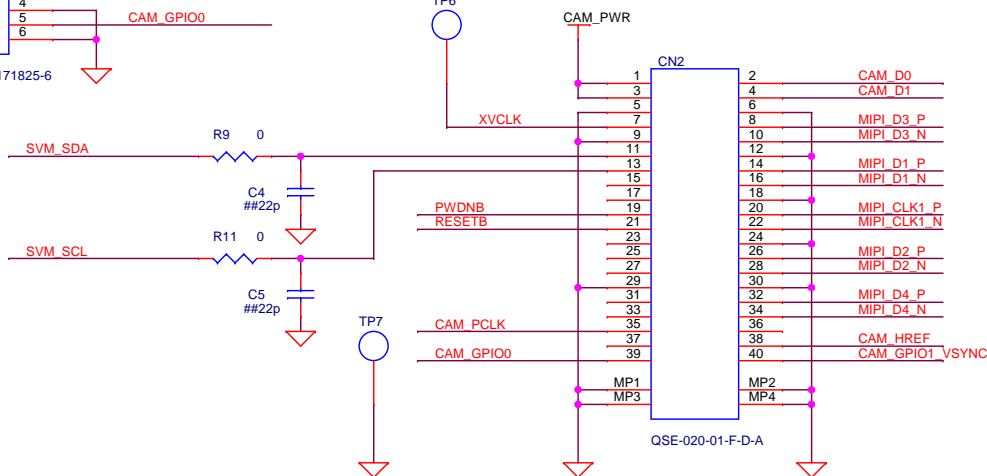
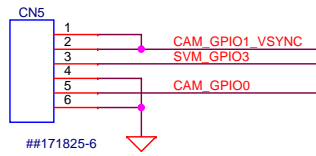
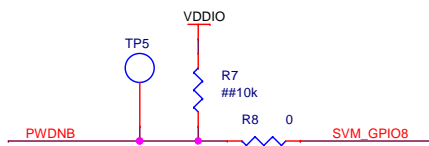
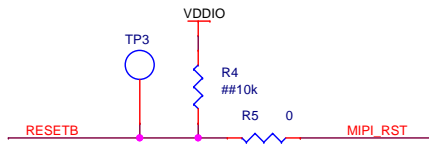
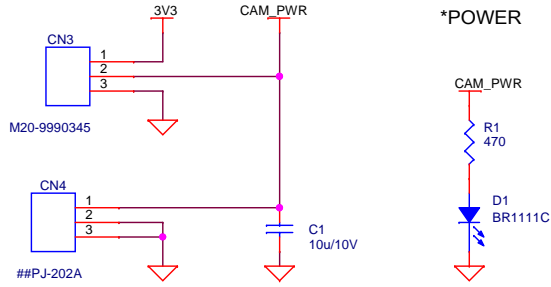
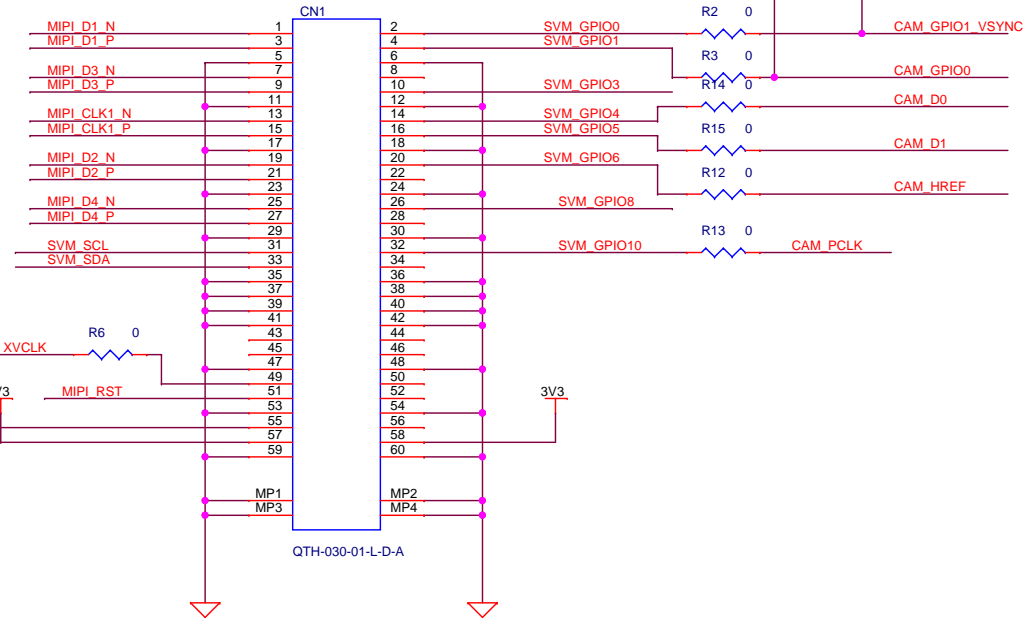


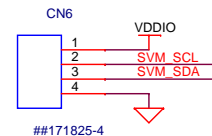
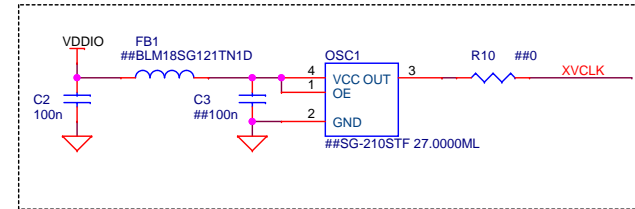
- Short 1-2 to supply 3.3V for CAM_PWR
- Apply +5V for 2-3 pin to enable external power



* To SVM-MIPI



* Optional for clock generator



* Parts whose name starts with ## are not implemented
* TPn: Test Pad